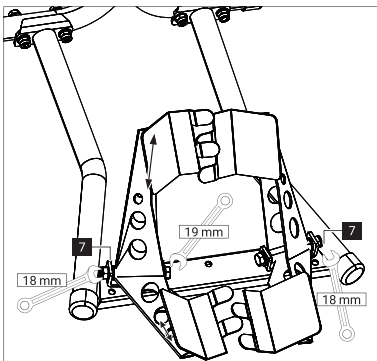
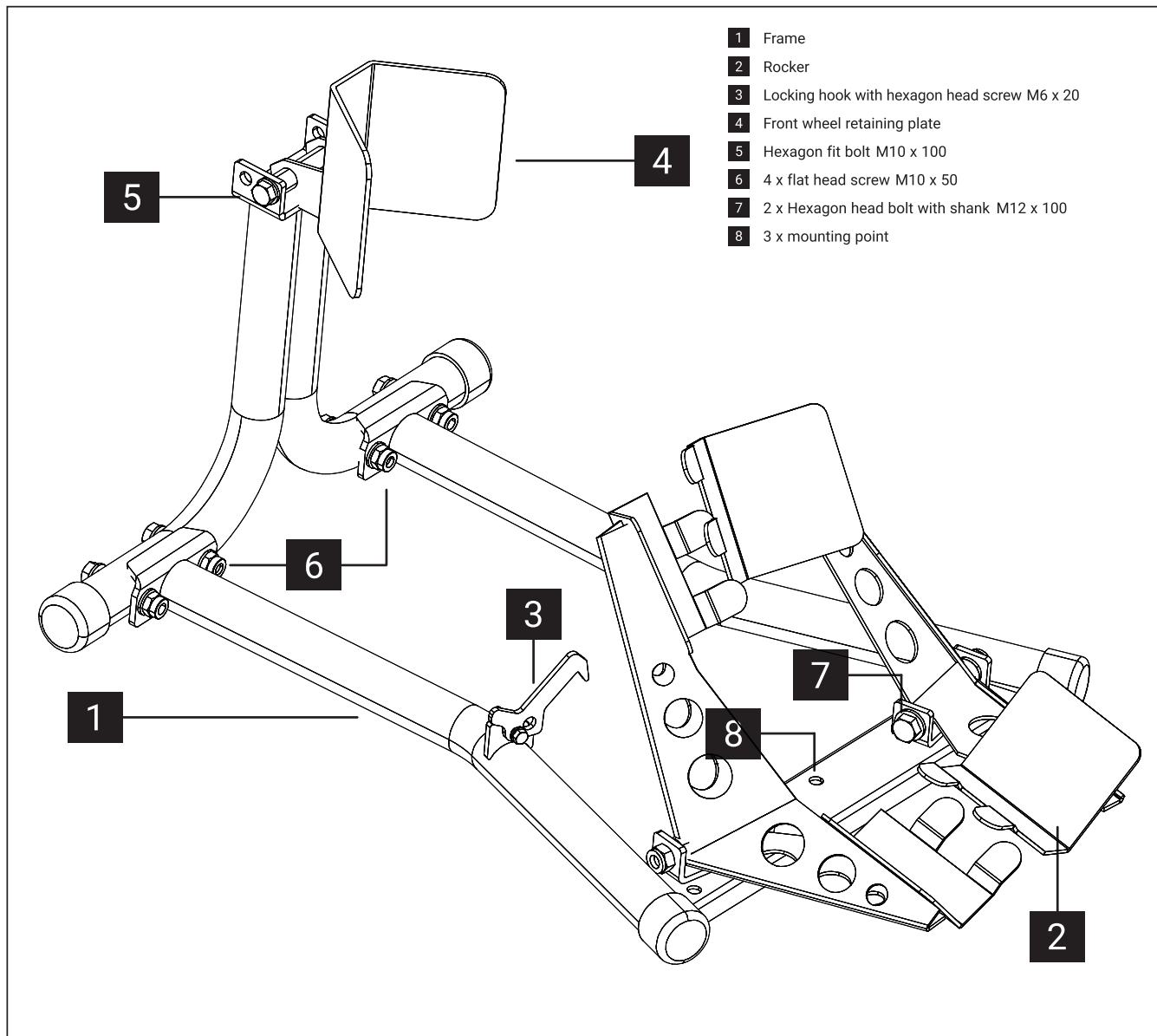
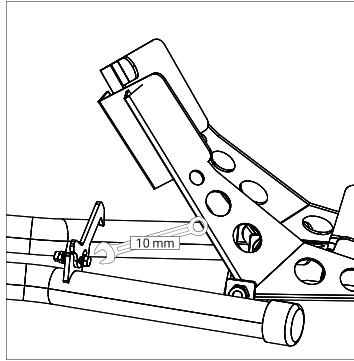


Assembly instructions

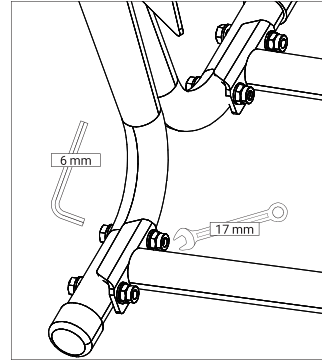
SMI3015-YJ



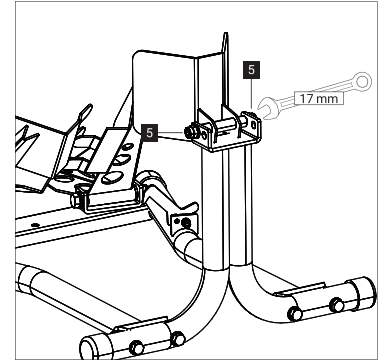
2 x Pos. 7
 M12 x 100 (18 mm)
 M12 (19 mm)



Pos. 3
 M6 x 20 (10 mm)
 A M6
 M6 (10 mm)



4 x Pos. 6
 M10 x 50 (6 mm)
 A M10
 M10 (17 mm)



Pos. 5
 M10 x 100 (17 mm)
 M10 (17 mm)

WARNING!

en The front wheel -motorcycle rocker is not suitable for permanently securing the motorbike. For correct securing on a trailer etc., the motorbike must also be secured with safety straps.